

# CONDENSA NEBULIZER - 3.0 ZOFF FOR..2.0 AND..2.0 MINI + LOWER AESTHETIC COVER KIT

## Warnings

- ⚠ This instruction is an integral part of the booklet of the appliance on which the kit is installed. Please consult this booklet for general warnings and fundamental safety rules.
- ⚠ For a rapid and right assembly of the components follow carefully the sequences described in the various sections.
- ⚠ All the operations must be performed by qualified personnel using the required Personal Protective Equipment.
- ⚠ It is necessary, for right functioning of the device, that during the whole installation phase the working space remains clean.
- ⚠ Regularly clear away waste offcuts, debris or dirt.

## Description

C060000143 - Condensation misting - 3.0 ZOFF

The kit consist of:

- Plastic tray
- Solenoid pump with anti-vibration silicone mount
- Float switch pump activation (NO contact)
- Float switch pump deactivation
- Floating alarm (NC contact)
- Wire mesh filter (consisting of 2 filters and 1 filter holder)
- Heated pipe
- Heated brass nozzle
- Power cable
- Bracket

## Pairing (required)

The aesthetic cover kit consists of a painted sheet metal panel.

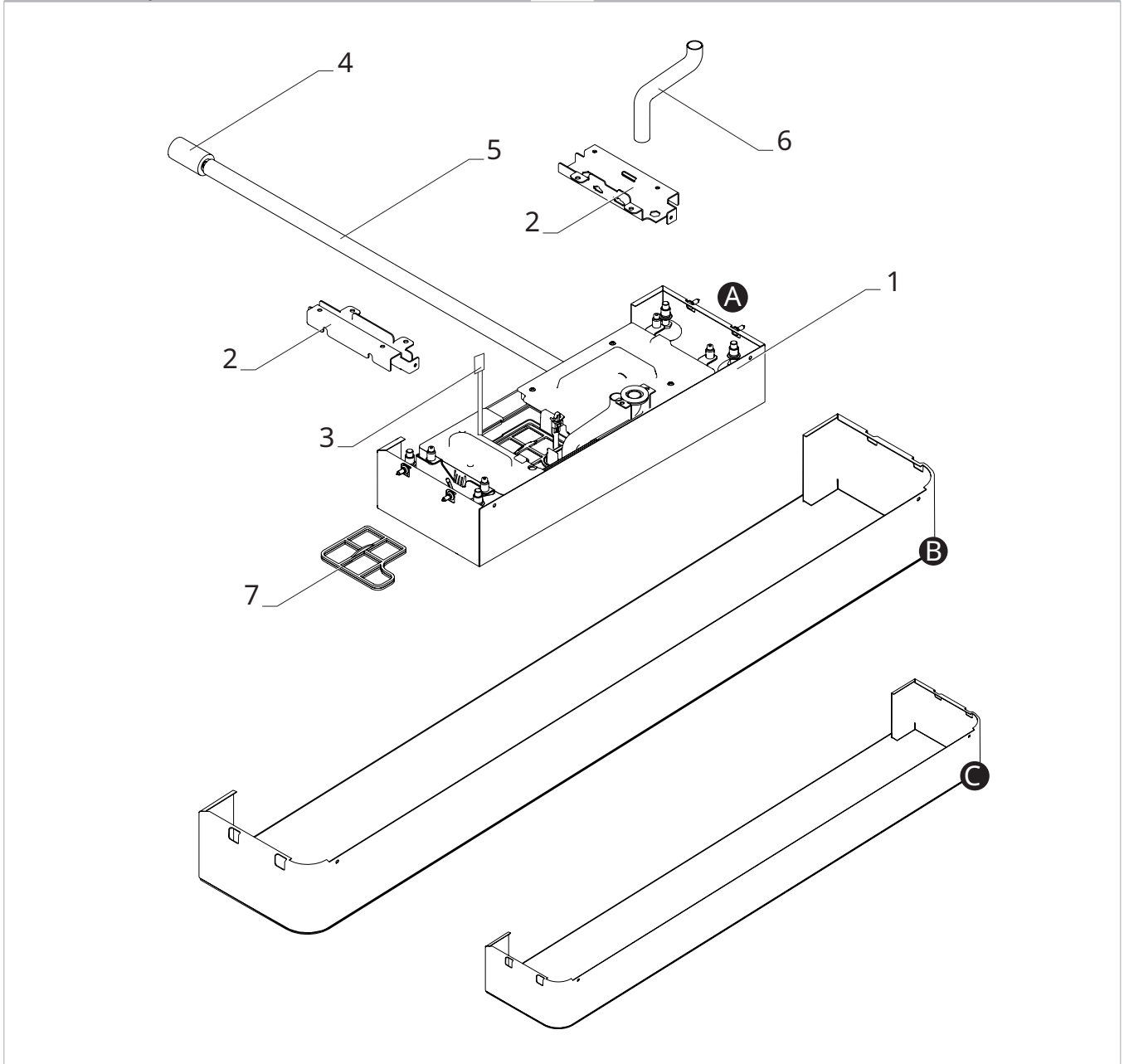
The lower aesthetic cover kit can be combined with the nebulizer kit.

GB1134II - Lower aesthetic cover kit for models..2.0 10 HP, 12 HP, 15 HP, AMERICA

GB1135II - Lower aesthetic cover kit for models ..2.0 9 HP MINI

## Components

<b>A</b>	Nebulizer kit	<b>2.</b>	Fixing brackets
<b>B</b>	Lower Trim Kit (GB1134)..2.0 (kit available for separate purchase)	<b>3.</b>	Alarm connection
<b>C</b>	Lower Trim Kit (GB1135)..2.0 MINI (kit available for separate purchase)	<b>4.</b>	Heated nozzle
<b>1.</b>	Plastic tray	<b>5.</b>	Heated pipe
		<b>6.</b>	Condensate drain pipe
		<b>7.</b>	Fine and coarse mesh filters



## Installation of the kit for .2.0 and .2.0 MINI models

### Device preparation

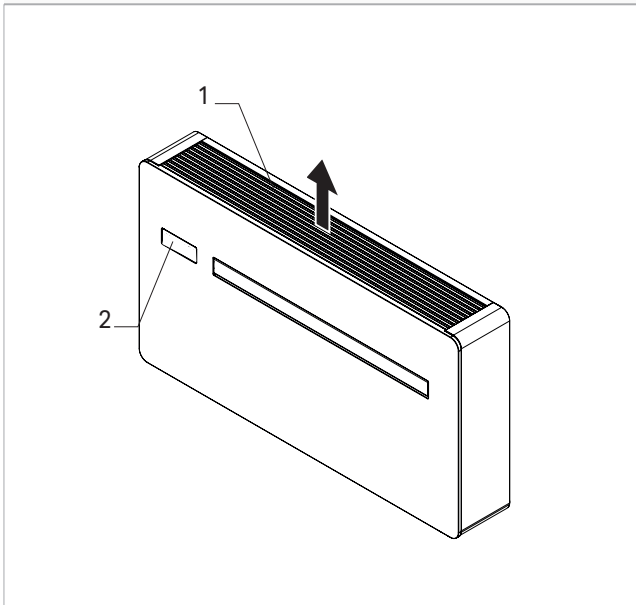
Before proceeding with the installation, it is necessary to remove some elements from the appliance.

⚠ Before carrying out any work, please ensure the power supply is disconnected.

⚠ The control panel is fixed on the front panel and is connected to the device by a connector.

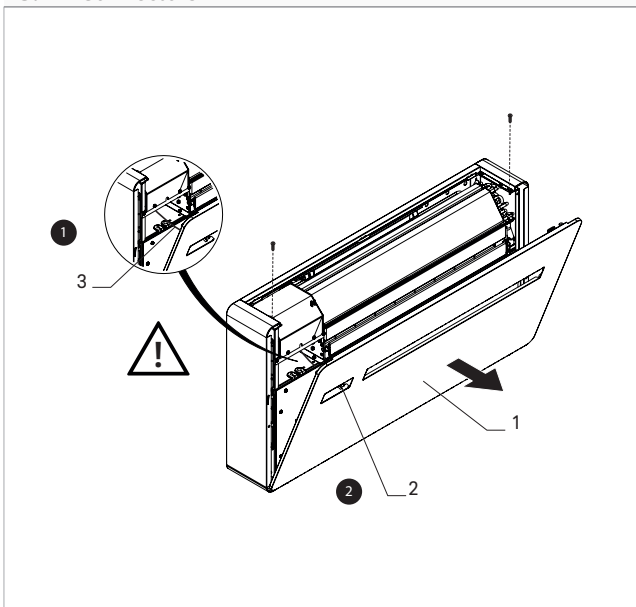
⚠ Disconnect the connector when opening the front panel.

1. Intake grille
2. Control Panel



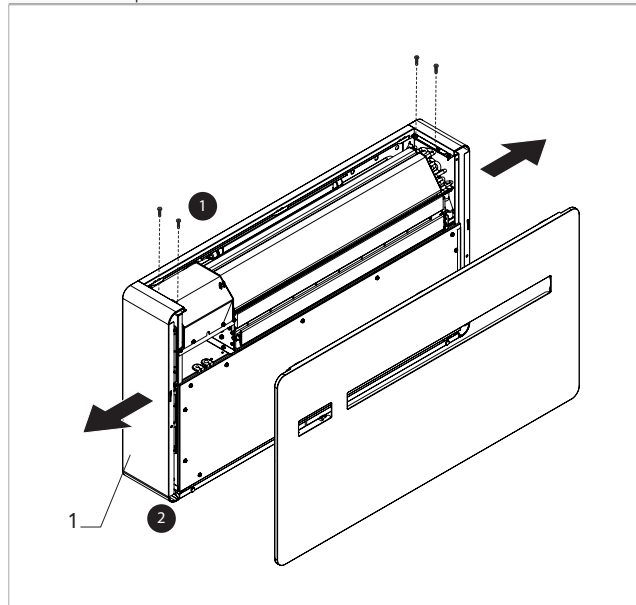
► remove the upper grille

1. Aesthetic front panel
2. Control Panel
3. Connectors



- unscrew the fixing screws of the aesthetic panel
- disconnect the connector of the on-board control
- remove the aesthetic panel

1. Side panel



- unscrew the fixing screws of the side panels
- remove the side panels

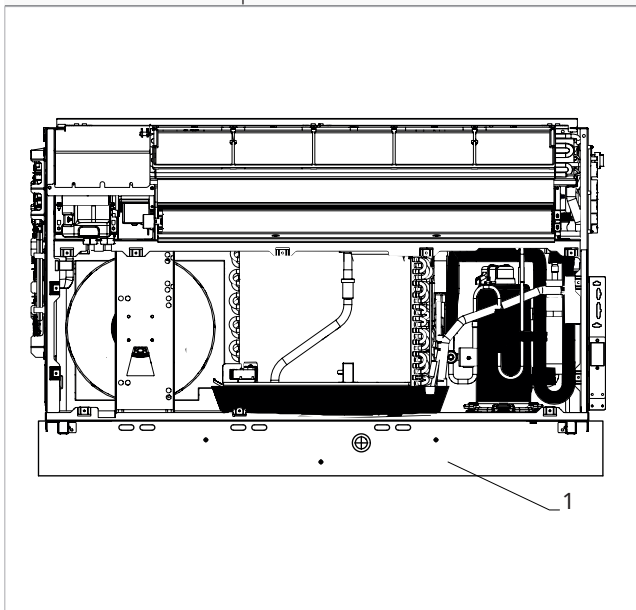
## Assembling the nebulizer kit

### Preliminary warnings

- ⚠ Ensure that:
- the wall supports the weight of the kit
  - the section of the wall does not contain piping or electrical lines
  - the functionality of load-bearing elements is not compromised
  - the support surface is perfectly flat

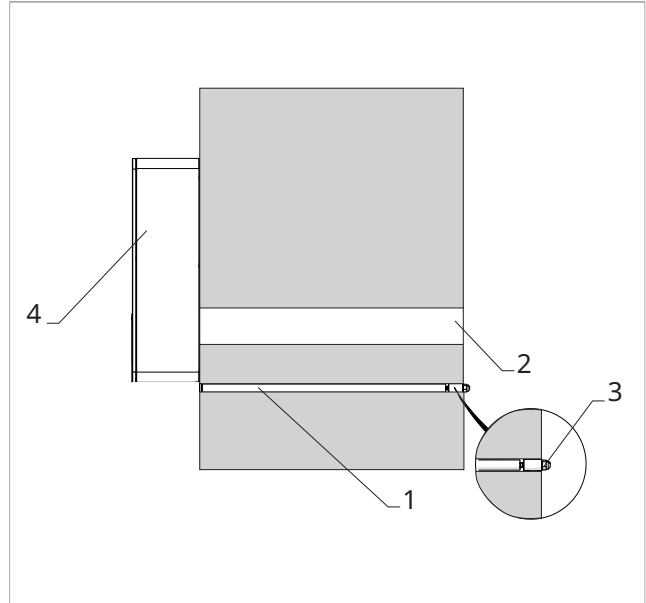
### Installation

#### 1. Installation template



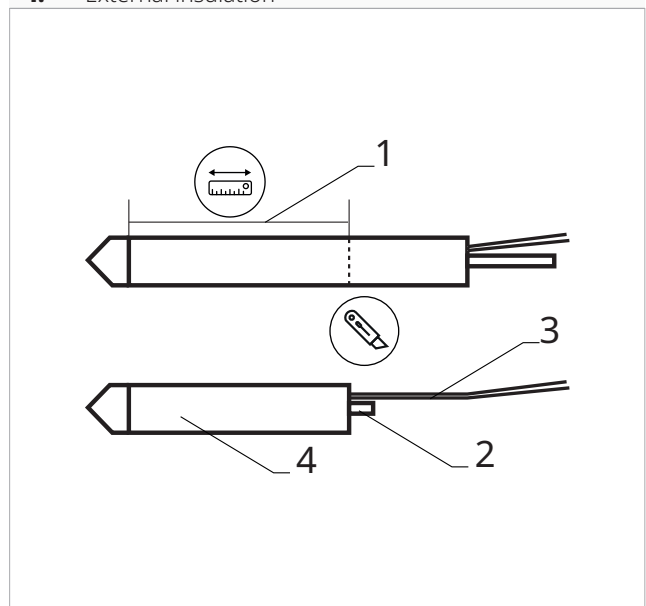
- ▶ position the template on the wall
- ▶ mark the point where the pipe will be drilled
- ▶ drill holes in the wall

- |    |                            |
|----|----------------------------|
| 1. | Heated pipe                |
| 2. | Air inlet/outlet hole..2.0 |
| 3. | Heated nozzle              |
| 4. | Unit                       |



- ⚠ Only half of the tube is heated, in the part corresponding to the heated nozzle.
- ⚠ It is possible to cut the pipe to the desired length.
- ⚠ The heated tube is 65 cm long.
- ⚠ If necessary, cut the heated pipe from the internal side.
  - ▶ measure the wall thickness
  - ▶ check that the heated pipe nozzle protrudes from the wall

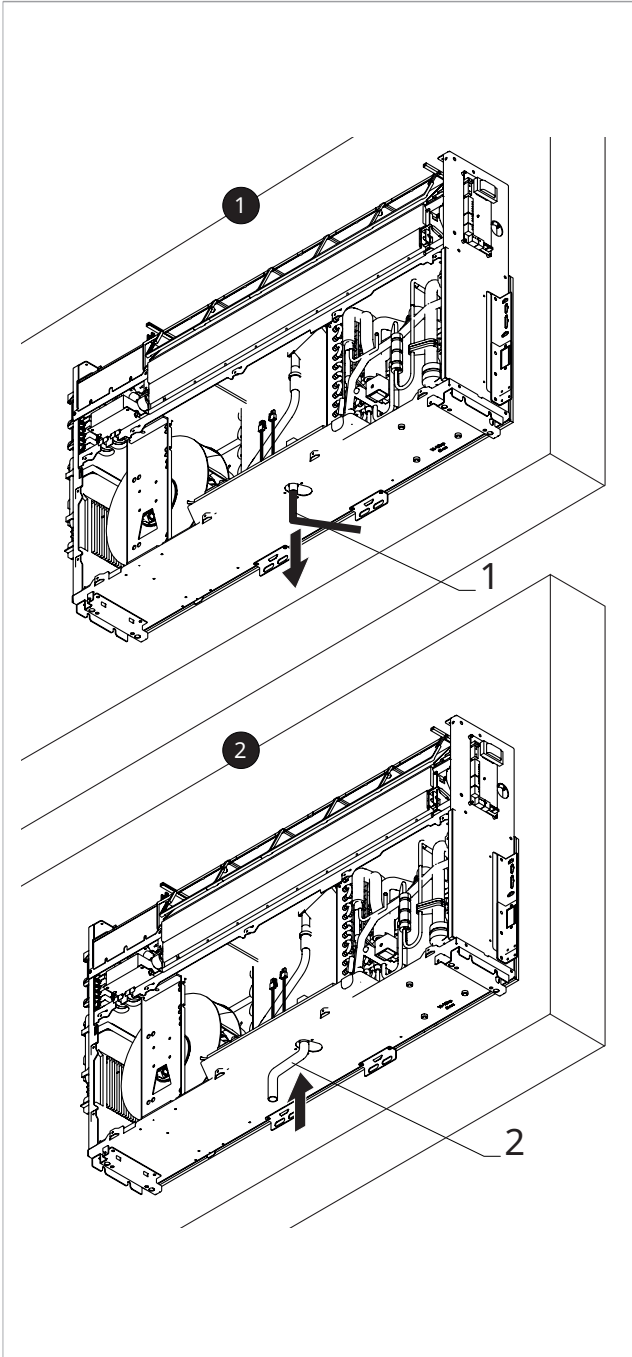
- |    |                       |
|----|-----------------------|
| 1. | Wall depth            |
| 2. | Condensate drain pipe |
| 3. | electrical cable      |
| 4. | External insulation   |



- ▶ cut the external insulation and the drain pipe without damaging the internal electrical cables

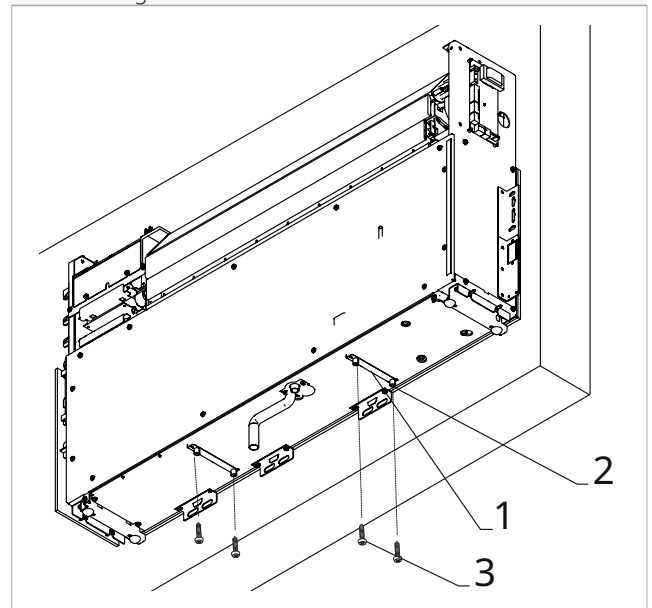
⚠ Do not cut the internal cables.

1. Condensate drain tube supplied with the unit
2. Condensate drain tube supplied with the nebulizer kit



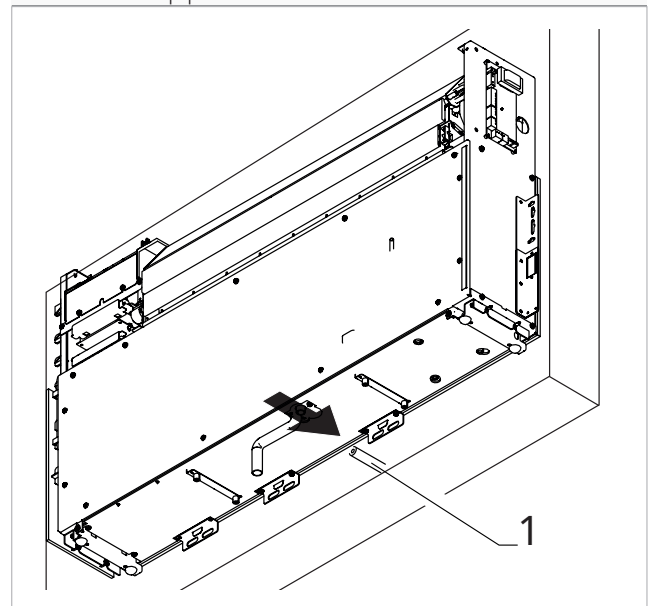
- ⚠ If present, remove the lower side cover kit.
- ▶ remove the condensate drain pipe supplied with the unit
- ▶ replace the removed pipe with the one from the nebulizer kit
- ▶ secure the new condensate drain pipe with a metal clamp

1. Fixing bracket
2. Antivibration
3. Fixing screws



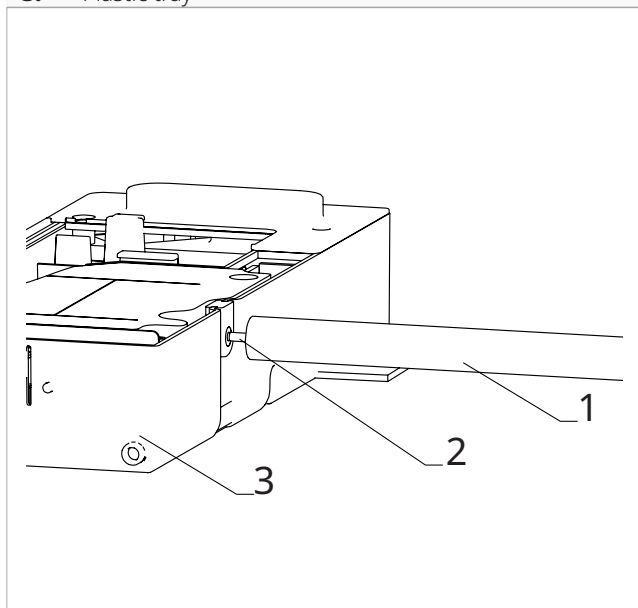
- ▶ place the bracket on the bottom of the unit
- ▶ secure the bracket to the unit with screws
- ▶ check that the lower anti-vibration mounts are fitted to the bracket

1. Heated pipe



- ▶ insert the heated pipe into the hole in the wall

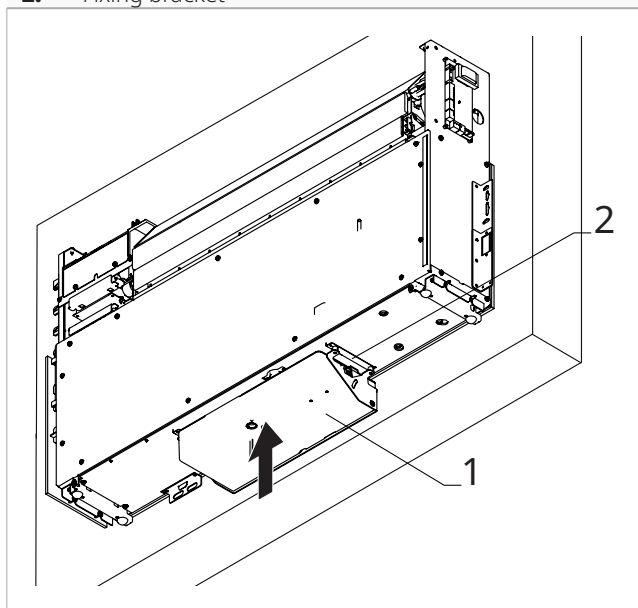
1. Heated pipe
2. Liquid drain pipe
3. Plastic tray



► connect the condensate drain pipe to the designated connection

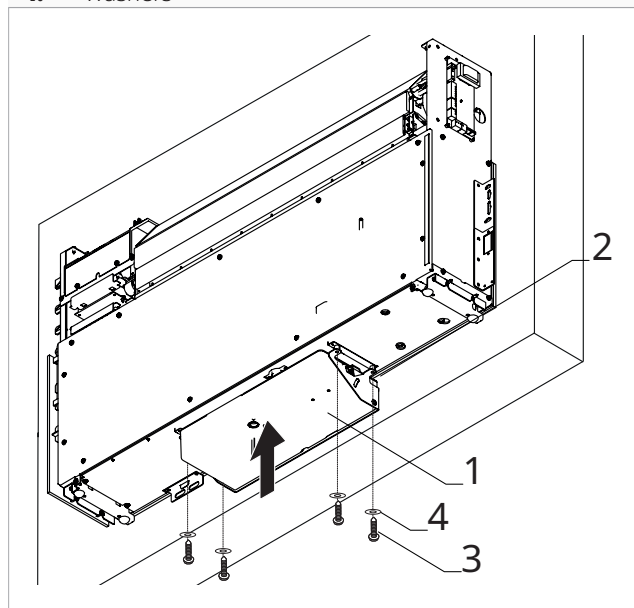
⚠ The condensate drain pipe is connected under pressure.

1. Nebulizer kit
2. Fixing bracket



► insert the nebulizer kit into the bracket with light pressure (snap-fit connection)

1. Nebulizer kit
2. Fixing bracket
3. Fixing screws
4. Washers



► secure the kit using the screws and washers

## Access to the electrical panel

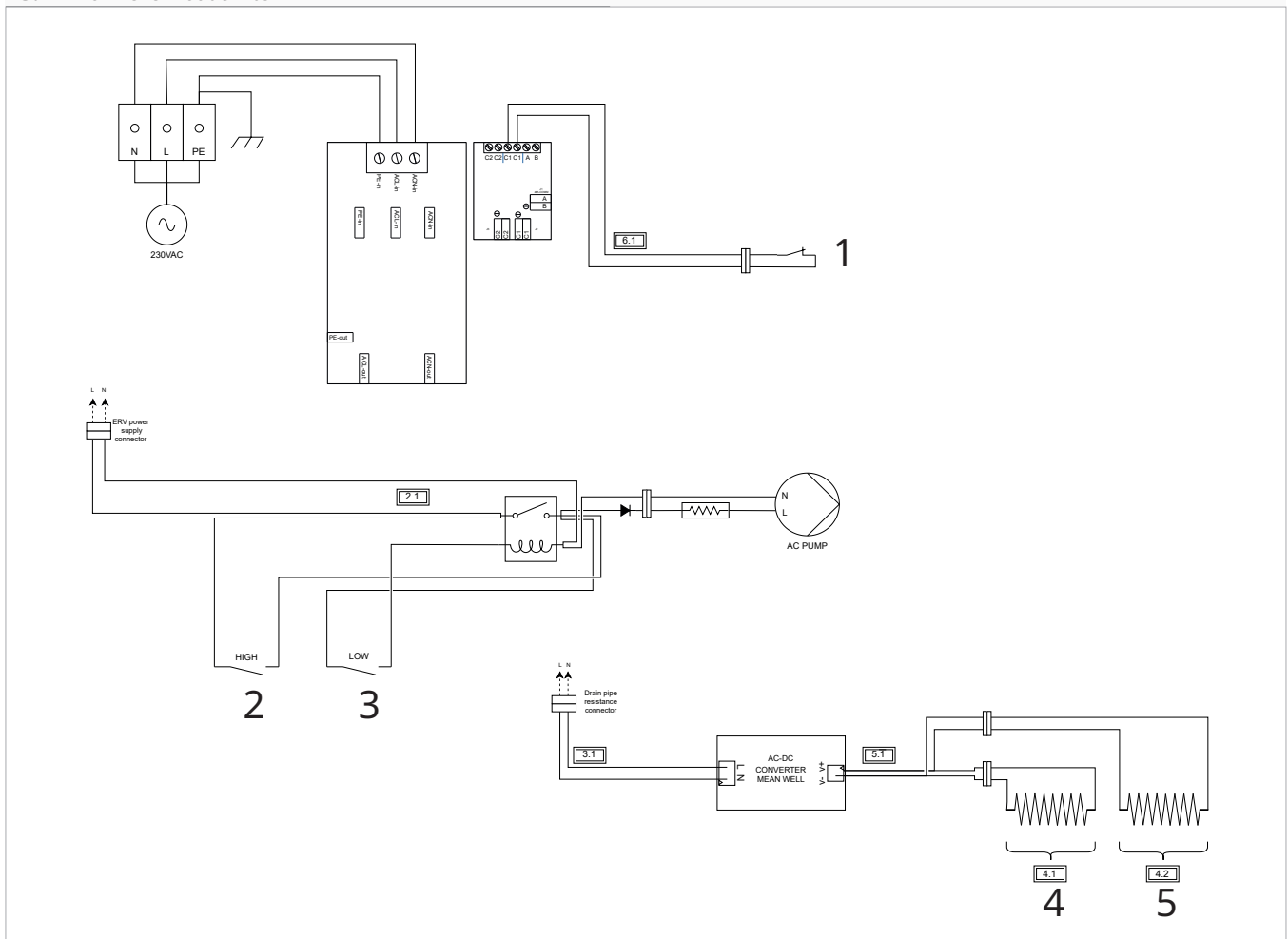
### Preliminary warnings

- ⚠ Before each intervention:
  - disconnect the appliance from the mains
  - wait until the components have cooled completely to avoid the risk of burns.

- ⚠ Only qualified personnel are permitted to access the electrical panel.
- ⚠ Before carrying out any work, please ensure the power supply is disconnected.

### Electric connections

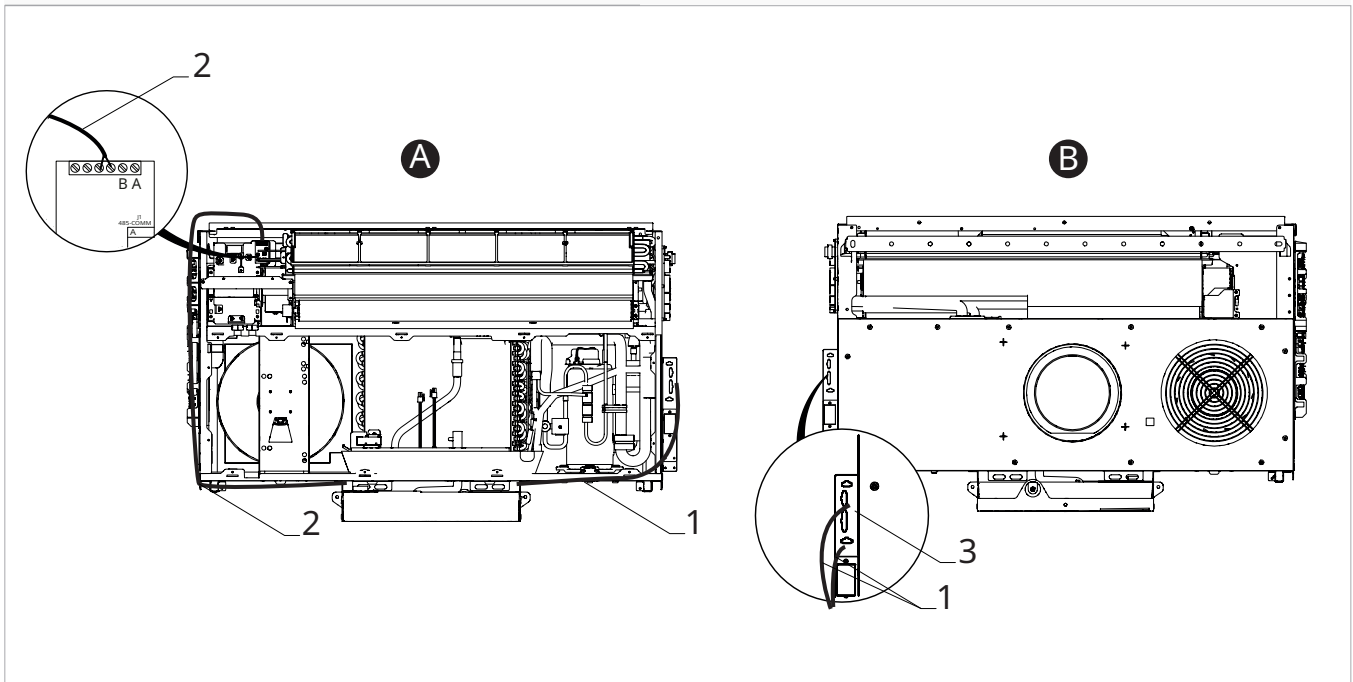
- |    |                         |    |                        |
|----|-------------------------|----|------------------------|
| 1. | Alarm float switch      | 4. | Pipe heating element   |
| 2. | High level float switch | 5. | Nozzle heating element |
| 3. | Low level float switch  |    |                        |



- ⚠ Refer to the manual of the appliance on which the kit is installed to access the electrical connections section.
- ⚠ **Make the electrical connections after disconnecting the unit.**

1. Power cable
2. Alarm cable
3. Terminal block

- A Front view
- B Rear view



**To make electrical connections:**

- ▶ connect the alarm cable to the CP contact on the unit's electrical panel
- ▶ connect the power cables to the terminal block

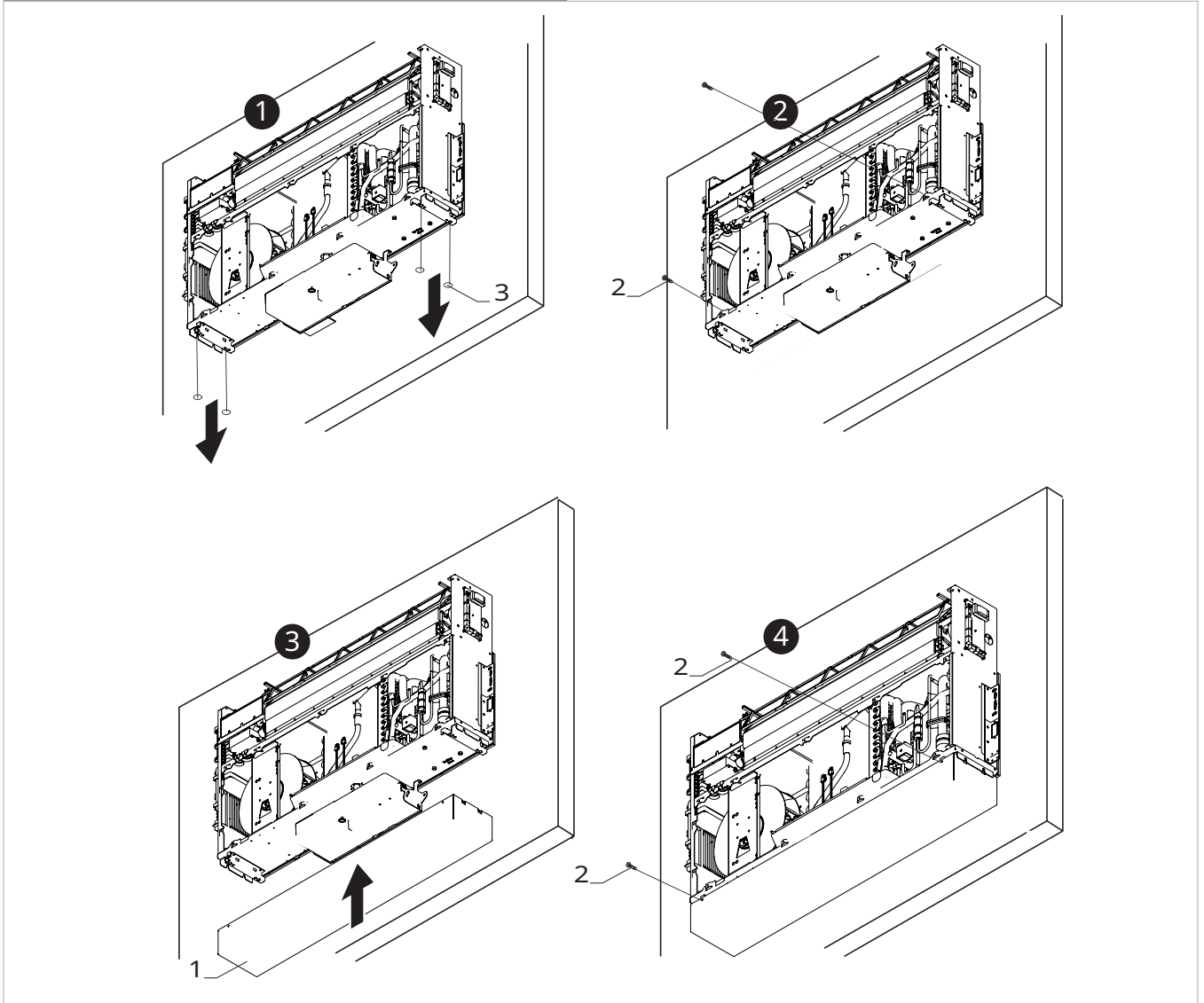
⚠ If the connections are not correctly executed, please fix them before proceeding.

## Installation of lower aesthetic cover kit

⚠ Check the compatibility of the kit with the units.

1. Lower aesthetic cover kit
2. Fixing screws

3. Rubber feet



⚠ If present, remove the feet before installation.

### To install the lower aesthetic cover kit:

- ▶ remove the two screws
- ▶ Remove the rubber feet
- ▶ position the lower aesthetic cover kit

- ▶ secure the lower aesthetic cover kit with the screws that were previously removed
- ▶ connect the connector of the on-board control
- ▶ secure the front panel with screws

⚠ For the installation of the front panel, refer to the unit's installation manual.

## Activation

⚠ The resistance of the tray and heated nozzle remains active in low temperatures and high humidity conditions to prevent the nozzle from freezing.

⚠ The external fan is activated every hour, even when idle, to monitor the external temperature.


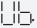
## Requirements

Version requirements:




- 1.15.0 or higher

## Configuration



### To access the basic menu

- ▶ press  for 10 seconds  
Appears .



### To access the advanced menu

- ▶ from the basic menu press   at the same time for about 5 seconds  
Appears   
*The advanced menu is accessed.*


### To move within the menu or change values

- ▶ use  


### To select a menu item and to confirm the changes made


- ▶ press   
*The menu item is selected and the settings are accessed.*  
*Changes are confirmed when the symbol  appears.*

### To exit the basic menu items without saving

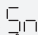



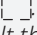
- ▶ press   
*You exit the selected menu item.*

### To exit the advanced menu

- ▶ press   
Appears   
*You return to the basic menu.*

 After a period of 30 seconds from the last action, the display turns off.

### To set SN

- ▶ select 
- ▶ press 
- ▶ select YS to activate  mode
- ▶ press  to confirm  
Appears   
*By default the device is set to NO.*

## Maintenance

Routine maintenance is essential to keep the device efficient, safe, and reliable over time.

### Preliminary warnings

#### Before each cleaning and maintenance intervention:

- ▶ disconnect the device from the power supply by turning the system main switch to "OFF"
- ▶ wait for the components to cool down in order to avoid any burns
- ⊘ Carrying out any technical or cleaning work before disconnecting the unit from the power supply is forbidden.
- ⚠ Make sure that there is no voltage before servicing.
- ⚠ After completing the maintenance work, the unit must be restored its original condition.
- ⚠ Handle refrigerant with care. Leaking refrigerant can cause freezing.

### Routine maintenance

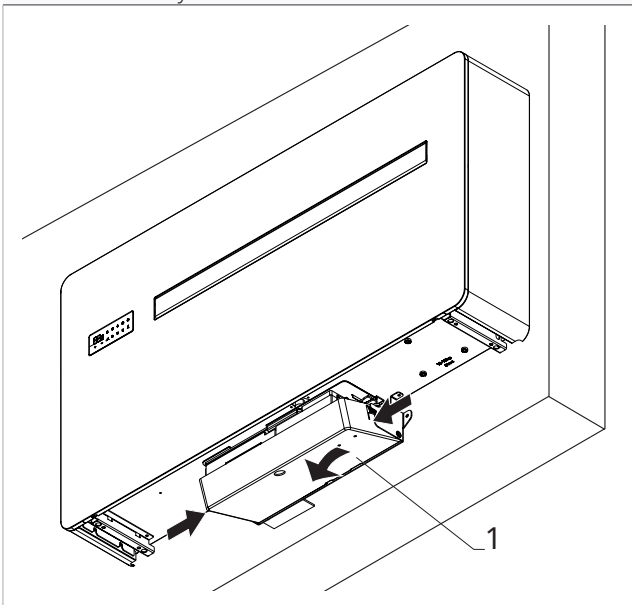
The routine maintenance plan includes the following cleaning operations.

- Carry out cleaning:
- every six months

### Cleaning the filters

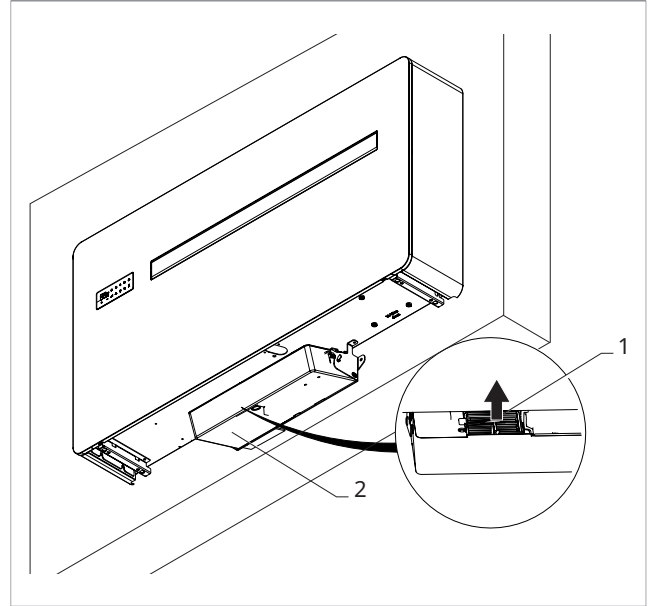
- ⚠ Before removing the filter, remove the lower trim kit for the .2.0 and .2.0 MINI models; refer to the section "Installation of the kit for .2.0 and .2.0 MINI models" p. 2
- ⚠ To remove the lower cover kit, you must also remove the unit's cover.
- ⚠ If the tray is full, remove the bottom cap of the nebulizer and empty it before starting maintenance.

#### 1. Plastic tray

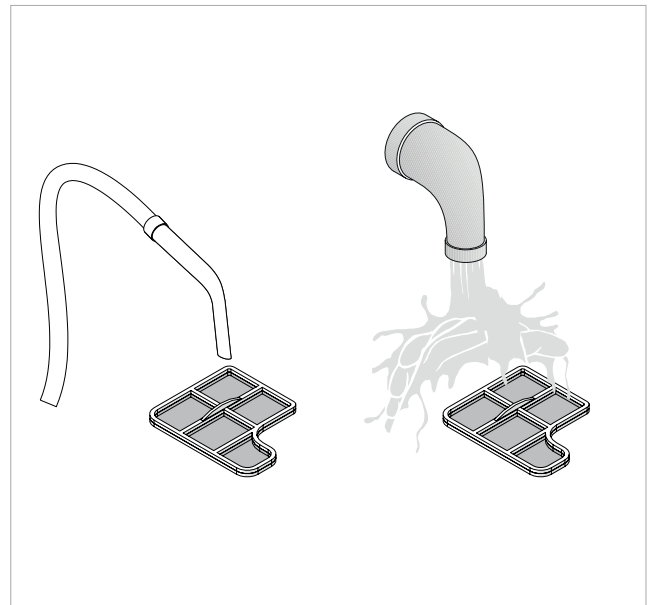


- ▶ press the two side tabs on the tray to tilt it
- ▶ tilt the tray to access the filter

#### 1. Filter 2. Plastic tray



- ▶ remove the filter holder
- ▶ remove the metal mesh filters



- ▶ remove the dust from the filter with a vacuum cleaner or by washing it in running water
- ▶ allow it dry
- ▶ reassemble the filter
- ⚠ Do not use detergents or solvents.
- ⚠ After finishing the cleaning of the filter, check that the filter is mounted correctly.
- ⚠ The use of the appliance without the mesh filter is prohibited.
- ⚠ Keep the tray clean to ensure the correct water level and timely activation of the pump.

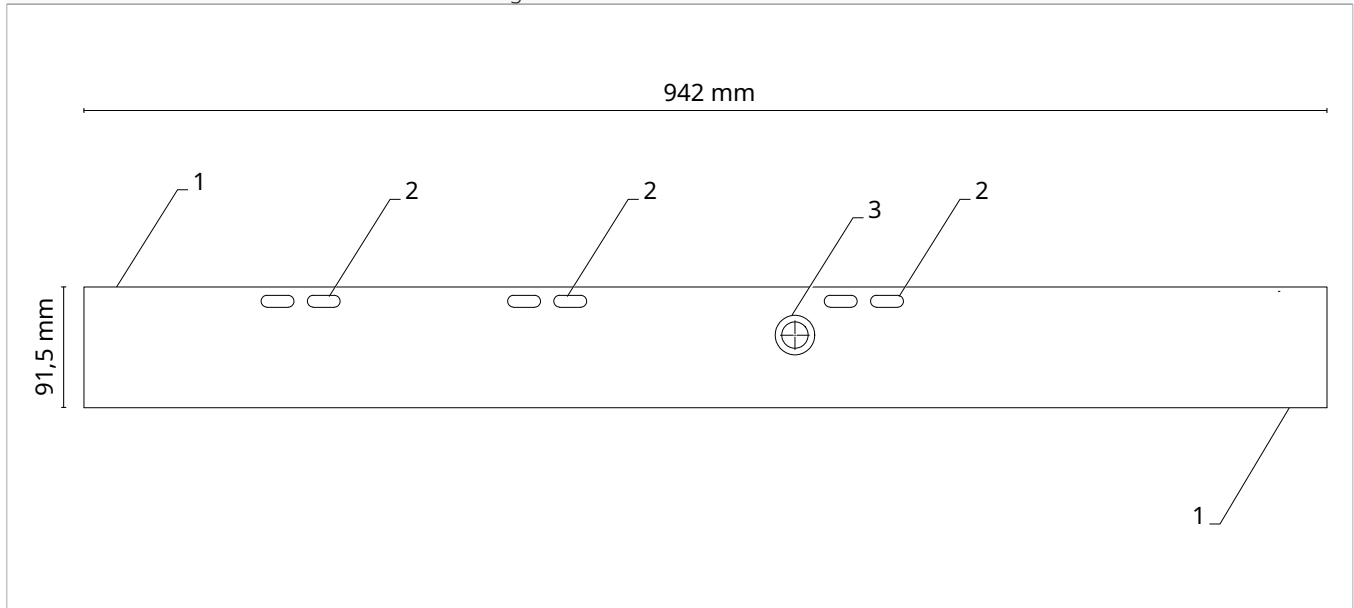
**Technical information**

**Installation template**

⚠ The units are supplied with a paper template for marking the holes necessary for installation.

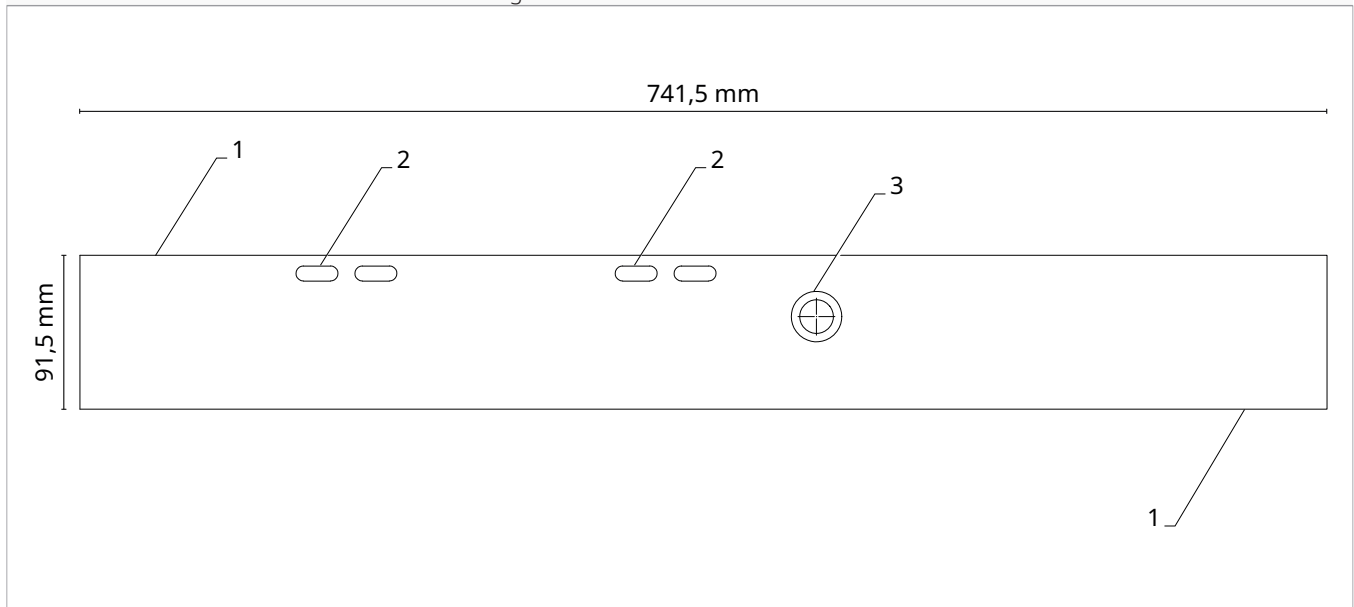
**Installation template for the lower aesthetics cover kit (code GB1134II)**

- 1. Outer perimeter of the aesthetic cover
- 2. Key points about air conditioning
- 3. Wall hole Ø 30 mm for condensate drainage



**Installation template for the lower aesthetics cover kit (code GB1135II)**

- 1. Outer perimeter of the aesthetic cover
- 2. Key points about air conditioning
- 3. Wall hole Ø 30 mm for condensate drainage



**Dimensions of the nebulizer kit****1.** Heated pipe**2.** Plastic tray